

**GB SPECIFICATIONS**

CAMERA	BE-800C(NPL)	BE-850C(NPL)	BE-850C(78)(NPL)
PICKUP DEVICE	CMOS		
REQUIRED ILLUMINATION	0.1 LUX (INTEGRATED IR LED)		
TV SYSTEM	PAL		
HORIZONTAL RESOLUTION	600TVL		
AUDIO	✓		
LENS ANGLE (H), (V), (D)	102° x 76° x 132°		69° x 51° x 92°
OPERATING VOLTAGE	12Vdc	12-24Vdc	
CURRENT CONSUMPTION	4.5W max (at 12 Vdc)		
POWER CONSUMPTION	370mA max (at 12Vdc)		
OPERATING TEMPERATURE	-40°C to +85°C		
WEIGHT	335g		
DIMENSIONS (WxHxD) mm	86mm x 72mm x 80mm		

**DE TECHNISCHE DATEN**

KAMERA	BE-800C(NPL)	BE-850C(NPL)	BE-850C(78)(NPL)
BILDSENSOR	CMOS		
NOTWENDIGE HELLIGKEIT	0.1 LUX (IR LED BELEUCHTUNG INTEGRIERT)		
TV-NORM	PAL		
HORIZONTALE AUFLÖSUNG	600TVL		
AUDIO	✓		
KAMERA SICHTWINKEL (H), (V), (D)	102° x 76° x 132°		69° x 51° x 92°
VERSORUNGSSPANNUNG	12 V DC	12-24 V DC	
STROMVERBRAUCH	4.5 W max (BEI 12 V DC)		
LEISTUNGS-AUFNAHME	370mA (BEI 12 V DC)		
BETRIEBSTEMPERATUR	-40°C to +85°C		
GEWICHT	335g		
ABMESSUNGEN (B x H x T) mm	86mm x 72mm x 80mm		

**FR CARACTÉRISTIQUES TECHNIQUES**

CAMÉRA	BE-800C(NPL)	BE-850C(NPL)	BE-850C(78)(NPL)
DISPOSITIF DE CAPTURE	CMOS		
ÉCLAIREMENT NÉCESSAIRE	0.1 LUX (LED INFRAROUGE INTÉGRÉE)		
SYSTÈME TV	PAL		
DÉFINITION HORIZONTALE	600TVL		
AUDIO	✓		
ANGLE D'OBJECTIF (H), (V), (P)	102° x 76° x 132°		69° x 51° x 92°
ALIMENTATION	12 V CC	12 - 24 V CC	
CONSOMMATION EN COURANT	4,5 W (SOUS 12 V CC)		
PUISSANCE CONSOMMÉE	370mA (SOUS 12 V CC)		
TEMPÉRATURE DE FONCTIONNEMENT	-40°C to +85°C		
POIDS	335g		
DIMENSIONS (LxPxH) mm	86mm x 72mm x 80mm		

**IT SPECIFICHE TECNICHE**

TELECAMERA	BE-800C(NPL)	BE-850C(NPL)	BE-850C(78)(NPL)
SENSORE DI IMMAGINE	CMOS		
ILLUMINAZIONE RICHIESTA	0.1 LUX (LED A INFRAROSSO INTEGRATI)		
STANDARD TV	PAL		
RISOLUZIONE ORIZZONTALE	600TVL		
AUDIO	✓		
ANGOLO LENTEPAL (H), (V), (D)	102° x 76° x 132°		69° x 51° x 92°
ALIMENTAZIONE	12 V DC	12-24 V DC	
CONSUMO DI CORRENTE	4,5W (A 12 V DC)		
CONSUMO DI POTENZA	370mA (A 12 V DC)		
TEMPERATURA DI FUNZIONAMENTO	-40°C to +85°C		
PESO	335g		
DIMENSIONI (LxAxP) mm	86mm x 72mm x 80mm		

**PT ESPECIFICAÇÕES**

CÂMERA	BE-800C(NPL)	BE-850C(NPL)	BE-850C(78)(NPL)
DISPOSITIVO DE CAPTAÇÃO	CMOS		
ILUMINAÇÃO NECESSÁRIA	0.1 LUX (ILUMINAÇÃO INTEGRADA LED IV)		
SISTEMA DE TV	PAL		
RESOLUÇÃO HORIZONTAL	600TVL		
AÚDIO	✓		
ÂNGULO DALENTE (H), (V), (P)	102° x 76° x 132°		69° x 51° x 92°
FONTE DE ALIMENTAÇÃO	12 VCC	12-24 VCC	
CONSUMO DE CORRENTE	4,5W (A 12 VCC)		
CONSUMO DE ENERGIA	370mA (A 12 VCC)		
TEMPERATURA OPERACIONAL	-40°C to +85°C		
PESO	335g		
DIMENSÕES (LxAxP) mm	86mm x 72mm x 80mm		

**ES ESPECIFICACIONES**

CÁMARA	BE-800C(NPL)	BE-850C(NPL)	BE-850C(78)(NPL)
DISPOSITIVO DE CAPTACIÓN	CMOS		
ILUMINACIÓN REQUERIDA	0.1 LUX (LED INFRARROJOS INTEGRADOS)		
SISTEMA DE TV	PAL		
RESOLUCIÓN HORIZONTAL	600TVL		
AUDIO	✓		
ÁNGULO DELENTE (H), (V), (D)	102° x 76° x 132°		69° x 51° x 92°
SUMINISTRO DE VOLTAGE	12 v cc	12-24 v cc	
CONSUMO DE CORRIENTE	4,5W (A 12 V CC)		
CONSUMO DE POTENCIA	370mA (A 12 V CC)		
TEMPERATURA DE TRABAJO	-40°C to +85°C		
PESO	335g		
DIMENSIONES (An x Al x P) mm	86mm x 72mm x 80mm		

**NL SPECIFICATIES**

CAMERA	BE-800C(NPL)	BE-850C(NPL)	BE-850C(78)(NPL)
OPNAME APPARAAT	CMOS		
VEREISTE VERLICHTING	0.1 LUX (IR LED VERLICHTING GEÏNTEGREERDE)		
TV-SYSTEEM	PAL		
HORIZONTALE RESOLUTIE	600TVL		
AUDIO	✓		
LENSHOEK (H), (V), (D)	102° x 76° x 132°		69° x 51° x 92°
VOEDINGSSPANNING	12Vdc	12-24Vdc	
HUIDIG VERBRUIK	4,5W (OP 12Vdc)		
STROOMVERBRUIK	370mA (OP 12Vdc)		
WERKTEMPERATUUR	-40°C to +85°C		
GEWICHT	335g		
AFMETINGEN (B X H X D) mm	86mm x 72mm x 80mm		

**TR ÖZELLİKLER**

KAMERA	BE-800C(NPL)	BE-850C(NPL)	BE-850C(78)(NPL)
ALGILAMA BİRİMİ	CMOS		
GEREKLİ AYDINLANMA	0.1 LUX (EN AZ)		
TV SİSTEMİ	PAL		
YATAY ÇÖZÜNÜRLÜK	600TVL		
SES	✓		
MERCEK AÇISI (D), (Y), (G)	102° x 76° x 132°		69° x 51° x 92°
GÜÇ KAYNAĞI	12 V DC	12-24 V DC	
ÇEKTİĞİ AKIM	4,5W (at 12 V DC)		
GÜÇ SARFI	370mA (at 12 V DC)		
ÇALIŞMA ORTAM SICAKLIĞI	-40°C to +85°C		
AĞIRLIK	335g		
EBATLAR ( G x Y x D ) mm	86mm x 72mm x 80mm		

**PL DANE TECHNICZNE**

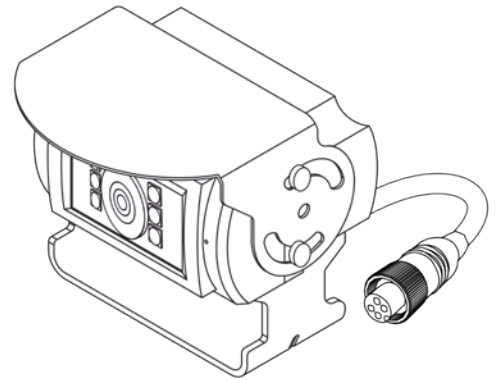
KAMERA	BE-800C(NPL)	BE-850C(NPL)	BE-850C(78)(NPL)
TYP PRZETWORNIKA	CMOS		
CZUŁOŚĆ KAMERY	0.1 LUX (ZINTEGROWANA IR LED)		
SYSTEM TV	PAL		
HORYZONTALNA	600TVL		
AUDIO	✓		
KĄT WIDZENIA (D), (H), (V)	102° x 76° x 132°		69° x 51° x 92°
ZASILANIE	12Vdc	12-24Vdc	
POBÓR PRĄDU	4,5W (AT 12Vdc)		
POBÓR MOCY	370mA (AT 12Vdc)		
TEMPERATURA PRACY	-40°C to +85°C		
WAGA	335g		
WYMIARY (WxHxD) mm	86mm x 72mm x 80mm		

**RU технические условия**

камера	BE-800C(NPL)	BE-850C(NPL)	BE-850C(78)(NPL)
ПРИЕМНОЕ УСТРОЙСТВО	CMOS		
ТРЕБУЕМАЯ ПОДСВЕТКА	0.1 ЛЮКС (ВСТРОЕННАЯ ИНФРАКРАСНАЯ)		
ТЕЛЕСИСТЕМА	PAL		
ПО ГОРИЗОНТАЛИ	600TVL		
АУДИО	✓		
УГОЛ ЛИНЗЫ (H), (V), (D)	102° x 76° x 132°		69° x 51° x 92°
ИСТОЧНИК ПИТАНИЯ	12 В	12-24 В	
ПОТРЕБЛЕНИЕ ТОКА	4,5W (ПРИ 12 В ПОСТОЯННОГО ТОКА)		
ЭНЕРГОПОТРЕБЛЕНИЕ	370mA (ПРИ 12 В ПОСТОЯННОГО ТОКА)		
РАБОЧАЯ ТЕМПЕРАТУРА	-40°C to +85°C		
МАССА	335g		
РАЗМЕРЫ (Ш x В x Г) mm	86mm x 72mm x 80mm		

# BE-8XXC(NPL)

Quick user guide  
Guide de démarrage rapide  
Kurzanleitung  
Guida rapida all'uso  
Guía rápida del usuario  
Beknopte gebruikershandleiding  
Guia rápida do usuário  
Skrócona instrukcja obsługi  
Hızlı başlangıç Kılavuzu  
Краткое руководство пользователя



IG Part Number 5981

